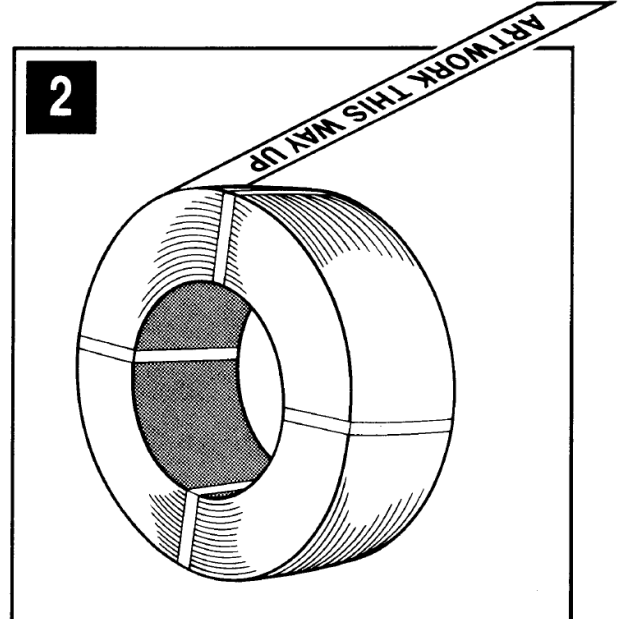
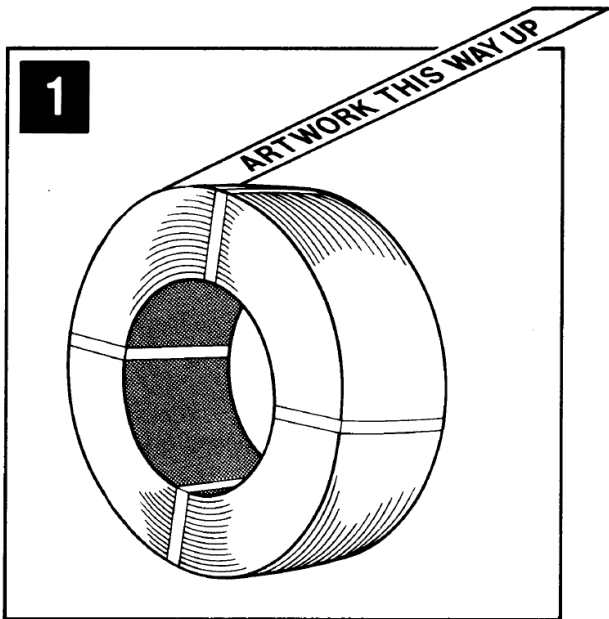


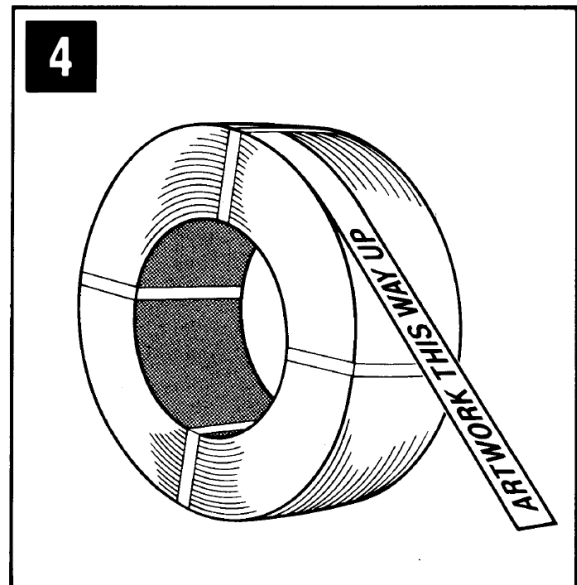
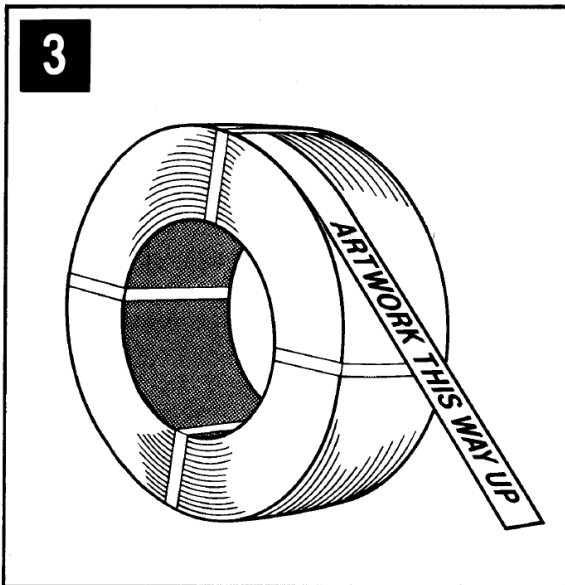
Printed strap



Winding orientation guide



1-2 INDICATE STRAPPING WOUND WITH PRINTING 'FACE DOWN' PRINTING NOT VISIBLE ON FINISHED COIL



3-4 INDICATE STRAPPING WOUND WITH PRINTING 'FACE UP' PRINTING VISIBLE ON FINISHED COIL

Customer details:

Name: _____

Address: _____

Contact: _____

Position: _____

Email: _____

Row: _____

Order details:

Please tick clearly the box below indicating your selected winding instruction:-

1	<input type="checkbox"/>	2	<input type="checkbox"/>	3	<input type="checkbox"/>	4	<input type="checkbox"/>
---	--------------------------	---	--------------------------	---	--------------------------	---	--------------------------

Signature: _____

Print name: _____

Plastic Extruders Ltd.

Russell Gardens, Wickford
Essex, SS11 8DN
+44 (0) 1268 571 116

UK manufactured
strapping products:
plastexstrapping.co.uk

